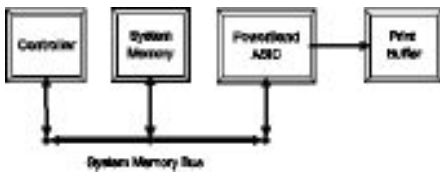


PowerBand* ASIC

The PowerBand ASIC provides high speed data compression and real-time data decompression of continuous tone and binary images for printer applications. The device performs the following functions:

- Compression of a Memory Block
- Decompression of a Memory Block
- Copy Memory Block
- Set Pattern in a Memory Block

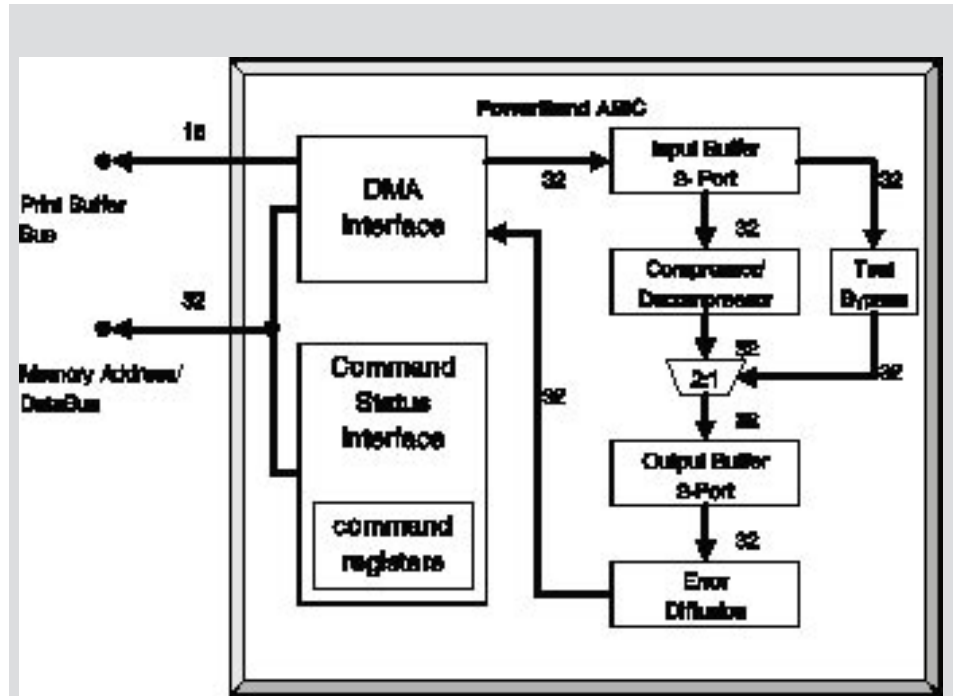
The PowerBand ASIC is based upon Pipeline's patented PowerBand software (U. S. Patent # 5,150,454) which has been shipping in customers products since 1991. The ASIC is intended to be used in printing systems as shown in the following diagram:



The PowerBand ASIC is controlled by a processor/controller. It moves blocks of data within the system memory and performs the compression/decompression on the data blocks. The input data is read from the system memory. The result data is placed in system memory or sent out the print buffer interface as configured by the user.

Architecture

The PowerBand ASIC is designed for use with little or no glue logic on the controller board. Its asynchronous operation allows compression/decompression while the CPU continues to operate and is designed to operate at speeds of up to 33 MHz. The ASIC's fast decompression, greater than 15 MB/sec. sustained rate, 60 MB/sec. burst rate, ensures fast throughput to drive high performance output devices.



PowerBand ASIC Major Components

Basic Specifications

Physical

ASIC Type: Quad Flat Pack
 No. Pins: 120

Operating Conditions

<u>Parameter</u>	<u>Minimum</u>	<u>Maximum</u>
Clock Frequency (MHz)	0.0	33
Voltage (V)	4.5	5.5

PROCESSORS SUPPORTED:
 i960® Processor Family

CONTACT:
 Michael Tangreti
 Pipeline
 2740 Route 10 West,
 Morris Plains, NJ 07950
 Phone: (201) 267-3840
 FAX: (201) 267-3715



PIPELINE